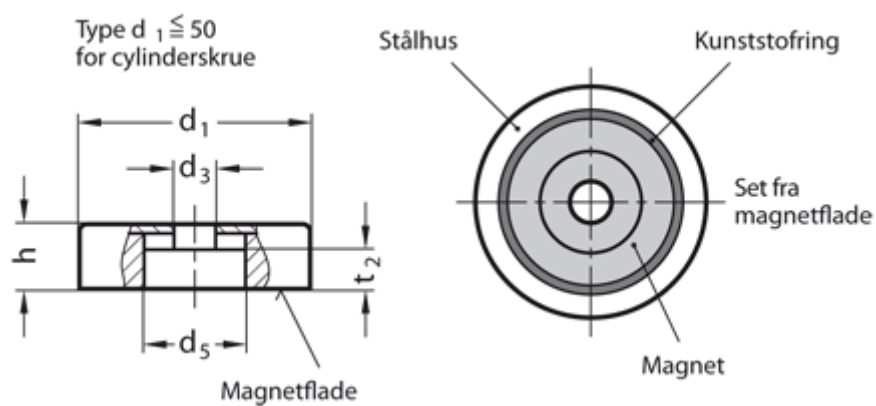


Article number: 20504HF63M8

Description: E+G Magnets with female thread GN 50.4-HF-63-14-M8
Hard ferrite - 200° C, 290N

Measures



d_1 = 63 +0,3/-0,1

d_3 = 13

d_5 =

h = 14 +0,5/-0,1

Holding force N = 290

Material = HF Hård ferrit - 200° C

t_2 =